

2018 KLONDIKE DERBY

HORSE-SHOE TRAIL DISTRICT – JANUARY 20, 2018

UNIT INFORMATION PACKET

The Horse-Shoe Trail District's Klondike Derby will be held at the J. Edward Mack Scout Reservation on **January 20, 2018**. Units are welcome to camp overnight Friday, **January 19**, and Saturday night, **January 20**. Informal campfire programs involving your neighboring campsites are encouraged.

We will **NOT** accept registrations after **January 12, 2018**, due to the planning and purchasing of food and supplies. If your registration and money are not in Tentaroo on January 12, 2018, your troop will not be participating in the Klondike Derby.

Volunteers are needed again, and we are willing to give two free lunches and two free patches to two volunteers for each type of unit registered to attend the event. Volunteers should report to the Head Mayor for the event they are volunteering for at the Mayors meeting for their assignment. Please note that there is a maximum of two free lunches per unit.

Three events will be taking place. Webelos Klondike Derby for Pack Webelos dens; Boy Scout Klondike Derby for Boy Scout Troops; and Iron Will for Boy Scouts who are 14 and met first class requirements and Venturers.

Since we are looking forward to snow, **BE PREPARED!!!** It is unlikely (although possible, remember 2016!) that the Klondike Derby will be canceled or postponed due to weather conditions. However, if a decision is made to cancel or modify the event, announcements will be made on local radio stations.

This packet contains all the details that you will need to prepare your Units to participate in the greatest Horse-Shoe Trail District Klondike Derby ever!

Your Klondike Derby committee hopes that all of you have a happy and safe experience! Your host & chairman, Sheldon Brubaker, can be reached at 717-721-3863 or 717-468-5333.

REGISTRATION

Registration fee includes one patch, Saturday lunch, and a great program! Pay online or make checks payable to BSA, and send them to Pennsylvania Dutch Council, 630 Janet Ave., Lancaster, PA 17601. **Please note, registration is not finalized until payment has been received.**

Registration deadline is midnight on Friday, January 12, 2018. Online registration is available this year at <http://padutchbsa.org/districts/horse-shoe-trail/horse-shoe-trail-district-activities/> Registrations will not be accepted after January 12, 2018.

DO NOT SEND THE UNIT ATTENDANCE SHEET WITH YOUR REGISTRATION FORM. However, you must have the form when you check in at Camp Mack.

CHECK-IN

Upon arrival at Camp Mack, one leader should report to the Camp Office to check-in for the whole group, but only after confirming that everyone is in camp, and that the names on your Unit Attendance Sheets are correct. Volunteers need to check in and pick up their assignments with Head Mayors at Mayors meetings.

Units that are check in Friday night should gather in the short-term camping area and set up their campsite as soon as they arrive. Campsites are on a first come, first serve basis.

Check-in for units camping on Friday& Saturday is from 6:00-9:00 p.m. on Friday night and Saturday night only is 7:00-8:00 a.m. Saturday morning.

CAMPSITE COURTESY

Troops are asked to keep a reasonable distance between campsites. Quiet time will be observed between 11:00 P.M. and 6:30 A.M. The Scout Law and Oath is the standard for conduct.

HEALTH & SAFETY

Medical assistance will be available from Friday night until the closing ceremony Saturday. All injuries, no matter how slight, must be reported to the health officer located in the Camp Office during the day, and at Dellinger Lodge Friday night. Radios will be available given to stations at strategic points throughout camp, and can be used to call for help in an emergency. Blair Lodge and Esbenshade Lodge will be open as warm up shelters on Friday and Saturday. Lodges are not available for troops to sleep in.

PARKING

Primary parking areas are the main parking lot and the staff parking lot. Parking is not permitted along North Camp Road or any other road or trail except while loading and unloading at the short-term campsites, in which case the vehicles should park on the side of the road closest to the campsites so that the other side remains clear for emergency vehicles. Klondike Derby staff will direct overflow parking. There is a possibility that piles of snow in the lots may reduce parking considerably, therefore it is suggested that units travel to and from Camp Mack in the least number of vehicles necessary. Please carpool! ***** ANY VEHICLE BLOCKING ACCESS TO A ROAD OR TRAIL WILL BE TOWED AT THE OWNER'S EXPENSE. *****

MEALS

Lunch on Saturday is provided by the Klondike Derby Committee, and will consist of a hot meal with coffee, juice and hot chocolate. Lunch is held at the Dining Pavilion from 11:30-12:30 PM for Boy Scout Klondike and from 12:00-1:00 PM for Webelos Klondike Derby. Iron Will Trek participants will have their lunch at the Training Center 11:30-12:30 PM. ***** UNITS ARE RESPONSIBLE FOR PROVIDING ALL THEIR OTHER MEALS DURING THE WEEKEND. *****

REQUIRED CLOTHING

The scout uniform is not needed for the Klondike Derby. Wear suitable undergarments for the weather, along with the appropriate layering system of outer winter protective clothing. It is highly recommended that participants carry along at least one extra pair of dry socks for a quick change on the trail. These should be carried in a zip lock bag or another waterproof container. Also recommended is a wool hat and gloves. Overnight campers need a sleeping bag rated for the temperatures expected and should have a change of clothes to sleep in. A poncho or rain suit is also highly recommended. Scouters and scouts who are found on the trail without the appropriate clothing will be escorted to a warm up station where they will remain for the rest of the event.

*****SNEAKERS MAY NOT BE WORN UNDER ANY CIRCUMSTANCE FOR THIS EVENT! NOT SCOUTS, NOT LEADERS, NOT ANYONE!*** VIOLATORS OF THIS RULE WILL BE ESCORTED TO A LODGE WHERE THEY WILL REMAIN UNTIL SOMEONE CAN TAKE THEM HOME. THIS MEANS EVERYBODY!**

EMERGENCY PHONE NUMBERS

Camp office phone during daytime hours is 717-626-8711. After office hours call 717-626-5674. This is the Camp Ranger's private home number, and should be called only in the event of an emergency. Please do not call the ranger at home with questions on the Klondike Derby. These phone numbers are the ranger's and there is no guarantee they will be answered.

NOTICE: The Klondike Derby is only for scouts and their unit leaders. Only people registered for this event may participate in the Klondike Derby. This is vitally important for the safety of everyone, so we will know at all times who is in camp.

TRADING POST

The Trading Post will be open with candy & snacks, as well as old Klondike Derby patches from previous years to add to your collection.

MAYOR'S MEETING & Volunteers

Leaders and other adults who have volunteered to serve as mayors/judges at an activity are asked to attend an orientation meeting from 7:45-8:10 A.M. in Blair Lodge for Boy Scout event; 8:00-8:30 AM at the Training Center for Iron Will; and 8:30A.M. on Dining Hall Porch for Webelos. Score sheets for the stations will be handed out at that time. Volunteers should have all equipment needed for their stations in place by the meeting time, preferably by Friday night.

JUDGING

The Klondike Derby emphasizes the patrol method for Boy Scouts/Webelos. Each of the Patrol Leaders will be responsible for the actions of his patrol. Patrols will be penalized for any patrol member wearing sneakers. Leaders and adults are prohibited from assisting in competition. Adult leaders may observe from a distance, but the patrol will lose points if adults are seen helping the patrol. Patrols receive points at each station based on teamwork & cooperation, leadership, task accomplishment and patrol spirit.

There are no certain dimensions or design restrictions on sleds. They should be practical and safe. It is a good idea to build them to accommodate wheels in case the ground is not covered by snow.

****A BASIC SLED DESIGN IS INCLUDED IN THIS PACKET****

Webelos sled and flag judging will take place in front of Dining Hall at 9:30 AM. Boy Scout sled and flag judging will take place in front of the Dining Pavilion at 11:30 AM. Each patrol is responsible for completing the sled identification card in this packet and placing it on the sled prior to judging. Unidentified sleds cannot be judged.

AWARDS AND RECOGNITION

Trophies will be awarded at the closing assembly in front of the Dining Pavilion. Unit award presentations will start sometime between 3:00-4:00 PM depending on completion of all stations.

First, Second and Third place trophies will be presented to patrols/teams in each event for:

1. Overall score in competitive events
2. Patrol Flags
3. Patrol Sleds
4. Mayors Award
5. Sled Race

All participants and adults, who are registered, will receive a participation patch, which will be distributed when your units check in for the event. Each Patrol/Team registered will be given a participation ribbon at check in.

Units staying overnight Friday or Saturday may be eligible for the BSA 32 Degree Patch, depending, of course, on the weather. Unit leaders may purchase these patches at the Council store if their units are eligible.

WEBELOS KLONDIKE EVENT

Webelos dens will have at least eight stations that are intended to be fun and give the boys a taste of what lies ahead for them in Boy Scouting. No advance preparations are necessary. The Klondike Derby Committee will provide all materials required. The best thing a leader can do to prepare their adults and scouts for the Klondike Derby is to teach them how to dress for outdoor activities during cold weather. Dens traveling with or without sleds should carry extra clothing, especially socks in a zip lock bag, and rain gear. Dens are encouraged to carry their flag with them on the competition trails. **Webelos parents/guardians should accompany dens on the competitive trail, but should avoid getting involved in the activities.**

NOTICE: The Klondike Derby is only for boys, their parent/guardians, and their unit leaders. Only people registered for this event may participate in the Klondike Derby. This is vitally important for the safety of everyone, so we will know at all times who is in camp.

*****Anyone interested in helping with the Klondike Derby, please call Jenny Neidigh at 717-314-0866.*****

WEBELOS SCHEDULE

SATURDAY, JANUARY 20, 2018

8:30-9:00	a.m.	Mayors/Volunteers meeting on Porch of Dining Hall
8:30-9:30	a.m.	Webelos registration at Camp Office
9:30-9:45	a.m.	PATROL SLED & FLAG JUDGING in front of Dining Pavilion
9:45-10:00	a.m.	Opening assembly in front of Dining Pavilion
10:00-12:00	a.m.	Klondike Derby activities/stations for all dens
12:00-1:00	p.m.	LUNCH
1:00-2:45	p.m.	Klondike Derby activities/stations for all dens
2:30-3:00	p.m.	Stations closed; trading post will be open & warm-up for participants if necessary
3:00-3:30	p.m.	Closing assembly, awards presentation in front of the Dining Hall
3:30-5:00	p.m.	Depart camp unless staying to watch scout activities and awards

The Klondike Derby is officially over at 5:00 P.M.

NOTICE: WEBELOS are permitted to camp during this weekend but that they do so only with the support and assistance of a Troop/Crew that has winter camping experience.

BOY SCOUT KLONDIKE EVENT

There will be a minimum of 8 stations for the Boy Scout patrols this year. We will have some new events and challenges, as well as some old favorites, including the infamous sled race. Details will be handed out at the SPL meeting on Saturday morning; however, some hints may be obtained from looking at the equipment list.

BOY SCOUT PATROL EQUIPMENT LIST

1. SMALL BUNDLE OF KINDLING (NO FIRE STARTERS)
2. MATCHES
3. ONE LARGE HANDKERCHIEF PER PATROL MEMBER
4. FIRST AID KIT, INCLUDING ITEMS NEEDED FOR SPLINTS
5. ONE ROPE PER PATROL MEMBER (EACH AT LEAST 10 FEET LONG)
6. WINTER SAFETY ESSENTIALS AS PER YOUR JUDGMENT
7. COMPASS
8. POCKET CHANGE FOR TRADING POST

*This is a basic equipment list, so be prepared for almost anything!

*****Any Scouter interested in helping with the Klondike Derby, please call the Boy Scout Patrol Program Head Mayor, Jim Rank, at 717-865-6464.*****

SENIOR PATROL LEADER/SCOUTMASTER MEETING

Senior Patrol Leaders must attend a meeting on Saturday morning for the Boy Scout event from 8:10-8:30 A.M. in Blair Lodge to get up to date instructions. Scoutmasters are also invited to this meeting.

BOY SCOUT SCHEDULE

FRIDAY, JANUARY 19, 2018

- | | | |
|------------|------|--|
| 6:00-9:00 | p.m. | Troop registration at Camp Office |
| 9:00-11:00 | p.m. | Inter-troop campfire programs, free time |
| 11:00 | p.m. | Taps, quiet time |

SATURDAY, JANUARY 20, 2018

- | | | |
|-------------|------|--|
| 6:30 | a.m. | Reveille, quiet time is over |
| 6:30-8:30 | a.m. | Personal hygiene, breakfast in troop area |
| 7:00-8:00 | a.m. | Troop registration continues in Camp Office |
| 7:45-8:10 | a.m. | Mayors meeting in Blair Lodge |
| 8:10-8:30 | a.m. | SPL/SM meeting in Blair Lodge |
| 8:30-8:45 | a.m. | Opening Assembly in front of Dining Pavilion |
| 8:45-11:30 | a.m. | Klondike Derby activities for all patrols |
| 11:30-12:15 | p.m. | PATROL SLED & FLAG JUDGING in front of Dining Pavilion |
| 11:30-12:30 | p.m. | LUNCH |
| 12:30-3:15 | p.m. | Klondike Derby activities for all patrols |
| 3:30-4:00 | p.m. | Tie-breaking competition, if necessary |
| 3:30-4:00 | p.m. | Troops not staying the night should break camp |
| 4:00-4:30 | p.m. | Closing assembly and awards presentation in front of the Dining Pavilion |
| 4:30-5:00 | p.m. | Depart camp unless remaining overnight |

The Klondike Derby is officially over at 5:00 p.m.

In case of severe weather on Saturday, the assemblies may be modified or eliminated and the location of the sled/flag judging may be changed to inside the Dining Pavilion.

Latrines will be open in the vicinity of Blair and Esbenshade Lodges at the Seneca and Susquehanna campsites. Portable toilets will also be available at the North Camp parking lot.

IRON WILL TREK WINTER EVENT

There will be a minimum of 8 stations for the Iron Will Trek participants this year. We will have some new events and challenges, as well as some old favorites. Details will be handed out Saturday morning; however, some hints may be obtained from looking at the equipment list.

IRON WILL TREK EQUIPMENT LIST

1. BACKPACK
2. SMALL BUNDLE OF KINDLING (NO FIRE STARTERS)
3. MATCHES
4. FIRST AID KIT
5. SEVERAL ROPES (EACH OF AT LEAST 10 FEET LONG)
6. WINTER SAFETY ESSENTIALS AS PER YOUR JUDGMENT
7. POCKET CHANGE FOR TRADING POST

This is a basic equipment list, so be prepared for almost anything!

****Also note that each pair for the Iron Will Trek should have a name for their team and a team flag similar to patrols and dens. Be as creative as you want to be -- that will be your team's identification for the Klondike Derby.**

*****Any Scouter interested in helping with the Klondike Derby, please call the Iron Will Trek program Head Mayor, Rick Shober, at 717-538-3173.*****

IRON WILL TREK SCHEDULE

FRIDAY, JANUARY 19, 2018

6:00-9:00	p.m.	Unit registration at Camp Office
9:00-11:00	p.m.	Inter-unit campfire programs, free time
11:00	p.m.	Taps, quiet time

SATURDAY, JANUARY 20, 2018

6:30	a.m.	Reveille, quiet time is over
6:30-8:30	a.m.	Personal hygiene, breakfast in troop/crew area
7:00-8:00	a.m.	Unit registration continues in Camp Office
8:00-8:30	a.m.	Iron Will Trek teams check in at Training Ctr.
8:30-11:30	a.m.	Klondike Derby activities for Iron Will Trek
11:30-12:30	p.m.	LUNCH AT TRAINING CENTER
12:30-3:00	p.m.	Klondike Derby activities for Iron Will Trek
3:00-4:00	p.m.	Tie-breaking competition, if necessary
3:00-4:00	p.m.	Troops/crews not staying the night should break camp
4:00-4:30	p.m.	Closing assembly and awards presentation, in front of the <u>Dining Pavilion</u>
4:30-5:00	p.m.	Depart camp unless remaining overnight; the Klondike Derby is officially over at 5:00 p.m.

In case of severe weather on Saturday, the assemblies may be modified or eliminated.

Latrines will be open in the vicinity of Blair and Esbenshade Lodges at the Seneca and Susquehanna campsites, as well as the Training Center. Portable toilets will also be available in the North Camp parking lot.

UNIT ATTENDANCE SHEET

HORSE-SHOE TRAIL DISTRICT – 2018 KLONDIKE DERBY

BRING THIS SHEET WITH YOU AND SUBMIT IT AT THE EVENT



PACK # _____ TROOP # _____ CREW # _____

UNIT LEADER'S NAME _____
(PERSON RESPONSIBLE FOR EACH UNIT WHILE IN CAMP)

Patrol Name _____

Patrol Leader _____

Patrol Members:

1. _____
2. _____
3. _____
4. _____
5. _____
6. _____
7. _____

(Maximum Patrol size is 8 members)

Patrol Name _____

Patrol Leader _____

Patrol Members:

1. _____
2. _____
3. _____
4. _____
5. _____
6. _____
7. _____

(Maximum Patrol size is 8 members)

Patrol Name _____

Patrol Leader _____

Patrol Members:

1. _____
2. _____
3. _____
4. _____
5. _____
6. _____
7. _____

(Maximum Patrol size is 8 members)

Iron Will Pairs

First Pair Name: _____

1. _____
2. _____

Second Pair Name: _____

1. _____
2. _____

Third Pair Name: _____

1. _____
2. _____

Fourth Pair Name: _____

1. _____
2. _____

Paid Adult Leaders:

1. _____
2. _____
3. _____
4. _____
5. _____
6. _____

ADD ADDITIONAL ADULTS ON BACK

Adult Volunteers:

(Maximum 2 free per Unit w/registered participants)

1. _____ Pack
2. _____ Pack

1. _____ Troop
2. _____ Troop

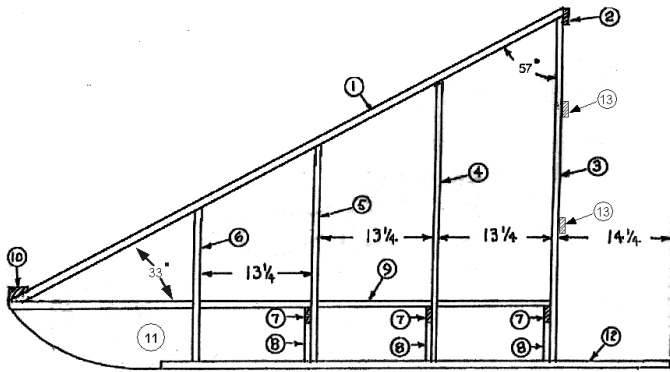
1. _____ Crew
2. _____ Crew

Patrol Name

Circle one **Pack Troop**

Sled Sign Klondike Derby 2018

Klondike Derby Sled Plan

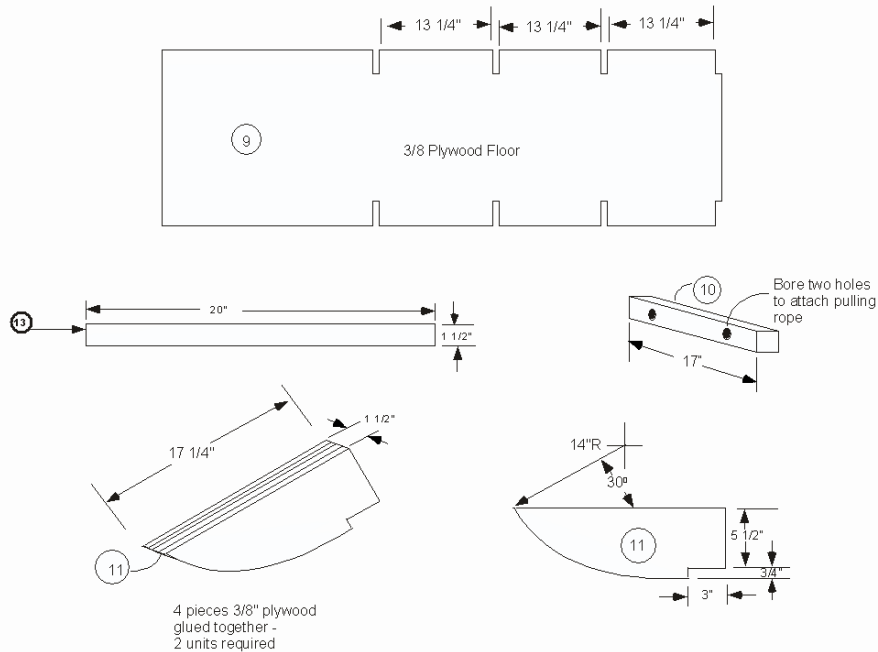


SIDE VIEW

Klondike Derby Sled Parts List

#1 1" x 2" x 70 1/4" Top Rail 2 req.
#2 1" x 2" x 20" Hand Rail 1 req.
#3 1" x 2" x 40 3/8" Rear Upright 2 req.
#4 1" x 2" x 32" 2nd Upright 2 req.
#5 1" x 2" x 23 7/8" 3rd Upright 2 req.
#6 1" x 2" x 16" Front Upright 2 req.
#7 1" x 2" x 20" Floor Support 3 req.
#8 1" x 2" x 4" Floor Spacer 6 req.
#9 3/8" x 20" x 60 3/4" Plywood Floor 1 req.
#10 2" x 2" x 17" Front Support 1 req.
#11 1 1/2" thick Laminated Plywood Front Runner 2 req.
#12 1" x 2" x 60" Hardwood Runners 2 req.
#13 1" x 2" x 20" Stiffener 2 req.
#6 x 1 1/4" Flat head Wood Screws 100 req.
Wood Glue
Rope for Pulling Sled
Screen, net, or plastic sheet (to form walls for sled)
Old skis may be screwed to bottom of runners if desired
Important: Glue and Screw all joints.

Parts Detail



Worksheet for Unit Use purposes only

UNIT NOTICE – JANUARY 2018

**HORSE-SHOE TRAIL DISTRICT – 2018 KLONDIKE DERBY
J. EDWARD MACK SCOUT RESERVATION**

Registration fee includes one patch and Saturday lunch for each individual, plus a great program! Register online through Tentaroo and pay online or make checks payable to BSA and send to: Pennsylvania Dutch Council, 630 Janet Avenue, Lancaster, PA 17601.

Registration deadline is midnight, January 12, 2018. Online registration is available at <http://padutchbsa.org/districts/horse-shoe-trail/horse-shoe-trail-district-activities/> After the deadline date **NO REGISTRATIONS WILL BE ACCEPTED**, however, substitutions will be permitted. Refunds cannot be made after deadline date.

ALL MUST PRE REGISTER!!!

YOU CANNOT SHOW UP SATURDAY MORNING AND REGISTER!!!

PACK # _____ TROOP # _____ CREW # _____

UNIT LEADER'S NAME _____

ADDRESS _____

PHONE # _____

Number of Youth _____ Pack
_____ Troop
_____ Crew

Number of Adults _____ Pack
_____ Troop
_____ Crew

Total _____

Total _____

Number of Free Adults - _____

(Mayors/volunteers, maximum 2 for each unit type who is registering - LIST NAMES BELOW)

TOTAL Youth + Adults (Deadline Jan. 12) _____ @ \$12 = \$ _____

Extra Patches _____ @ \$2 = + \$ _____

TOTAL AMOUNT DUE = _____

Number of Patrols Pack _____ Number of Patrols Troop _____ Number of Iron Will Teams _____

Select: Troop Crew
 We will not be camping

will be camping Friday night &/or Saturday night

NOTE : WEBELOS may camp with a Troop/Crew